

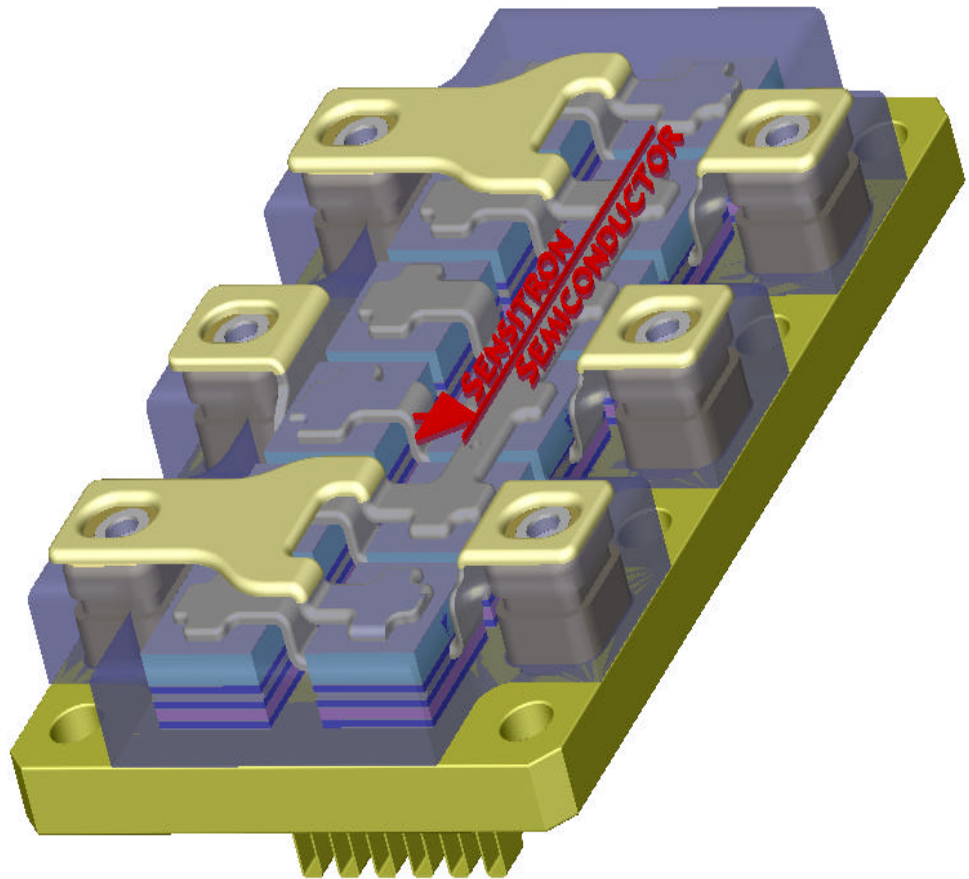
# **SENSITRON SEMICONDUCTOR**

## **High-Reliability Hermetic Power Modules (Oil Compatible)**

### **Features / Benefits:**

- ▼ Excellent Thermal Performance
- ▼ Flexible Design Configurations
- ▼ Cost-Effective Design
- ▼ Space-Saving (3"L x 2"W x 1"H)
- ▼ High-Efficiency Heat Sink
- ▼ High Power Density

*Celebrating over 30 years  
of supplying semiconductors  
and microelectronic products  
to the hi-rel market!*



- ▼ ISO-9001 Registered
- ▼ MIL-PRF-38534 Qualified
- ▼ MIL-PRF-19500 Qualified

## **Oil Cooled 3 Phase Full-Wave Bridge Rectifier 600 Volts 300 Amps**

**SENSITRON SEMICONDUCTOR** • 221 West Industry Court • Deer Park, NY 11729-4681  
(631) 586-7600 • Fax: (631) 242-9798 • Web Site: <http://www.sensitron.com> • Email: [sales@sensitron.com](mailto:sales@sensitron.com)

**...Specialists in Microelectronic Design and Packaging!**

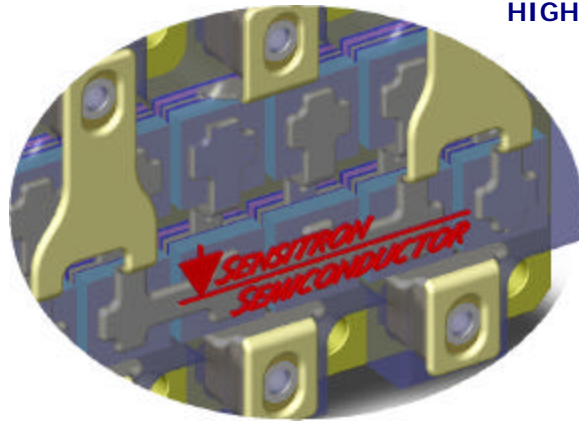
# **SENSITRON SEMICONDUCTOR**

## **Oil-Cooled 3 Phase Full-Wave Bridge Rectifier 600 Volts 300 Amps**

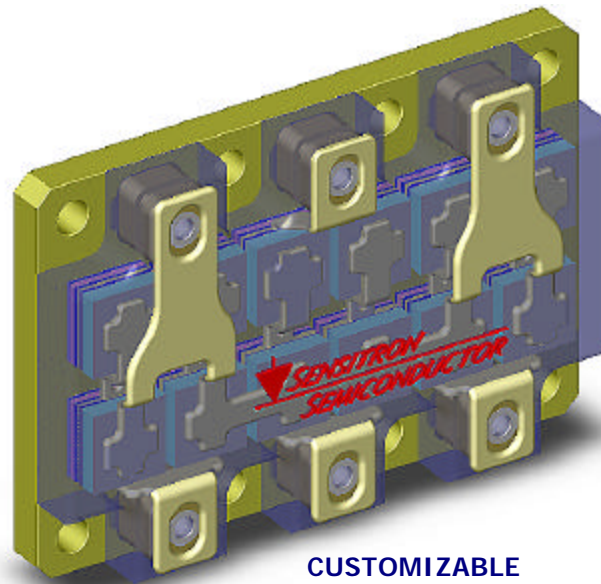
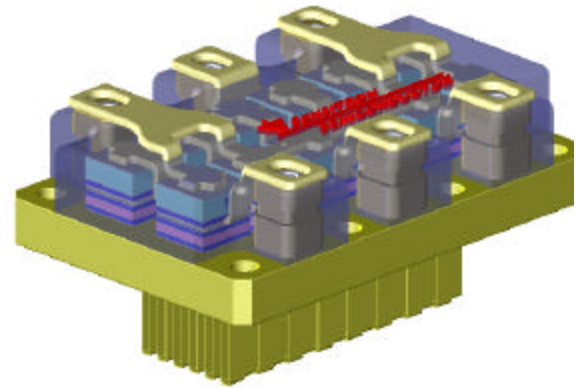
### **Applications:**

- ▼ Military
- ▼ Aerospace/ Space Systems
- ▼ High Power Generators

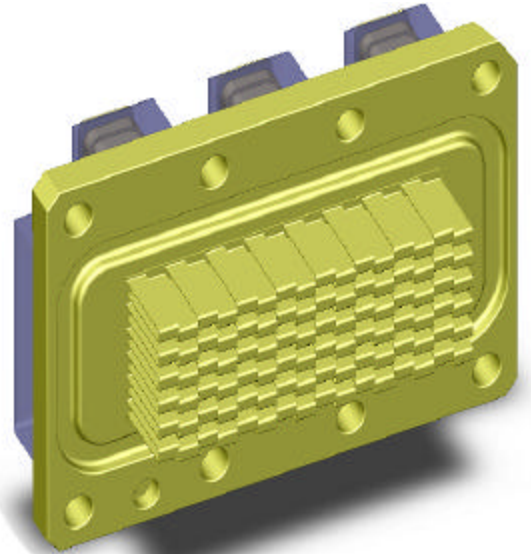
- ▼ ISO-9001 Registered
- ▼ MIL-PRF-38534 Qualified
- ▼ MIL-PRF-19500 Qualified



**HIGH STRENGTH SELF-LOCKING TERMINAL**



**CUSTOMIZABLE  
TERMINAL LOCATIONS**



**METAL/ COMPOSITE BASEPLATE  
WITH BRAZED HEATSINK**

**SENSITRON SEMICONDUCTOR** • 221 West Industry Court • Deer Park, NY 11729-4681  
(631) 586-7600 • Fax: (631) 242-9798 • Web Site: <http://www.sensitron.com> • Email: [sales@sensitron.com](mailto:sales@sensitron.com)

**...Specialists in Microelectronic Design and Packaging!**

# **SENSITRON**

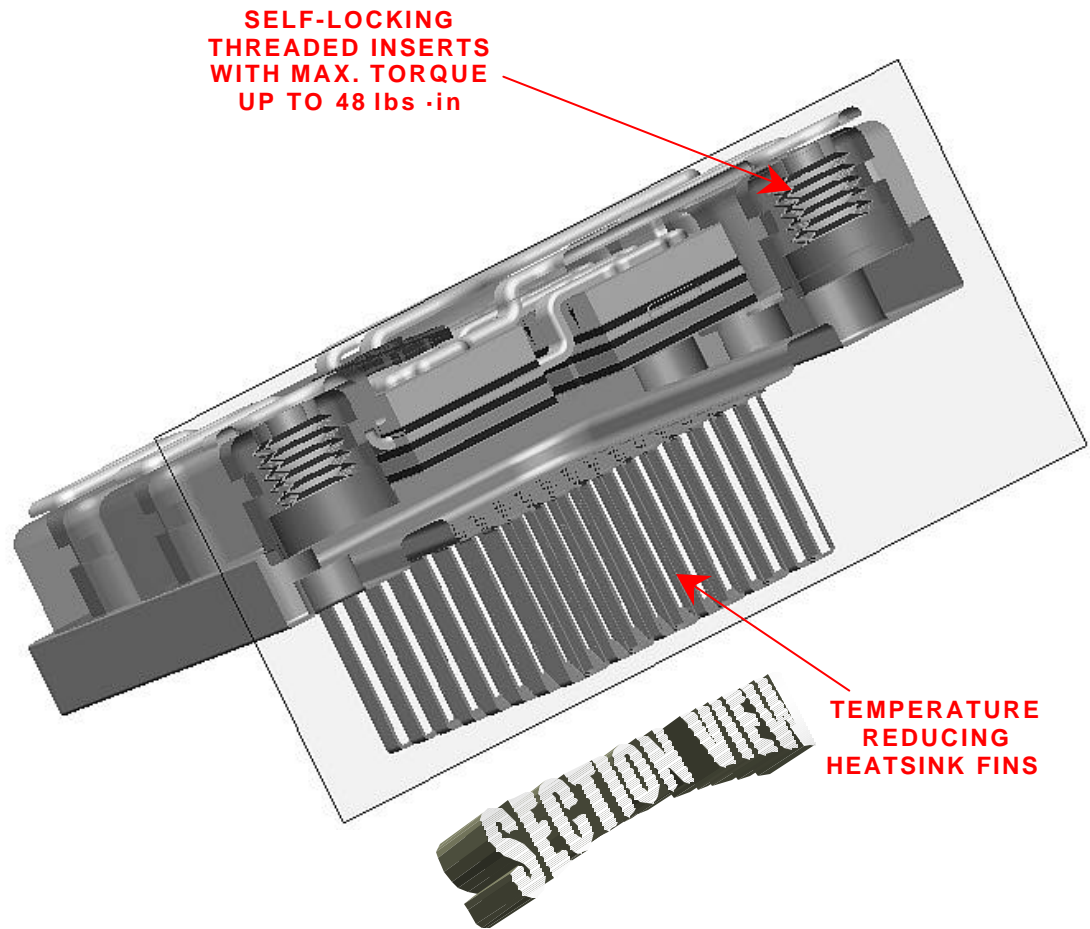
---

## **SEMICONDUCTOR**

**High-Reliability Hermetic Power Modules  
(Oil Compatible)**

**SENSITRON'S DESIGN OFFERS THE FLEXIBILITY TO CUSTOMIZE FOR  
SPECIFIC APPLICATIONS.**

*Celebrating over 30 years  
of supplying semiconductors  
and microelectronic products  
to the hi-rel market!*



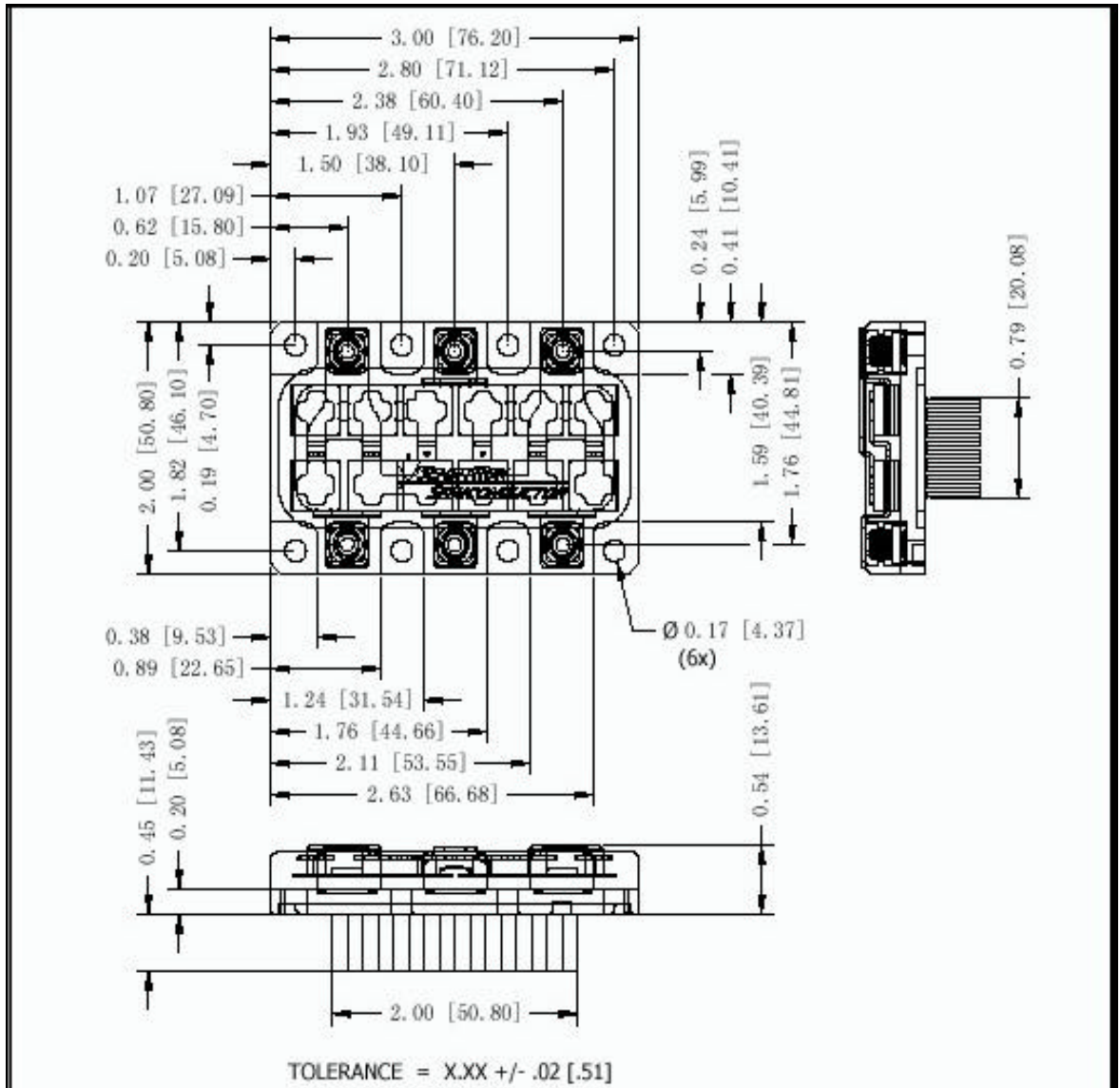
**Oil Cooled 3 Phase Full-Wave Bridge Rectifier  
600 Volts 300 Amps**

**SENSITRON SEMICONDUCTOR** · 221 West Industry Court · Deer Park, NY 11729-4681  
(631) 586-7600 · Fax: (631) 242-9798 · Web Site: <http://www.sensitron.com> · Email: [sales@sensitron.com](mailto:sales@sensitron.com)

**...Specialists in Microelectronic Design and Packaging!**

# SENSITRON SEMICONDUCTOR

**Oil-Cooled 3 Phase Full-Wave Bridge Rectifier  
600 Volts 300 Amps**



- ▼ ISO-9001 Registered
- ▼ MIL-PRF-38534 Qualified
- ▼ MIL-PRF-19500 Qualified

SENSITRON SEMICONDUCTOR • 221 West Industry Court • Deer Park, NY 11729-4681  
(631) 586-7600 • Fax: (631) 242-9798 • Web Site: <http://www.sensitron.com> • Email: sales@sensitron.com

**...Specialists in Microelectronic Design and Packaging!**