

TECHNICAL DATA

PART NUMBER: SCP-5282-4, REV D.1

High Pulse Power Mil-STD-1275 SuperClamp, <38V at 120A

Key Features:

- Clamping below 38V DC for 40V, 100V, and 250V pulses
- High Pulse Power Capability
- Unidirectional with Polarity Reversal Protection
- Designed for safe paralleling
- Precision Clamping



Application:

- +28V DC systems
- Enable compliance with MIL-STD-1275 requirements for Injected Surges and Spikes

Protection Level:

- MIL-STD-1275 Compliant; 100V Surge withstanding for 100 msec with 0.5-ohm source impedance, clamping below 38V.
- MIL-STD-1275 Compliant; 40V Surge withstanding for 50 msec with 0.02-ohm source impedance, clamping below 38V.
- 100% tested for 10-msec single pulse from 1A up to 120A followed by 50-msec, 5 pulses, at 1 sec intervals at 100A
- Capable of Clamping 25A for 500 msec square and decay to zero at 550msec at 2 second intervals when attached to a heat sink
- Two or more devices may be connected in parallel for clamping currents above 120A
- Designed to meet: SAE J1113-11 under following conditions:
 - ✓ 174V, 2-ohm upto 150msec
 - ✓ 174V, 5-ohm upto 350msec

Part Ordering Information:

- SCP-5282-4

SENSITRON

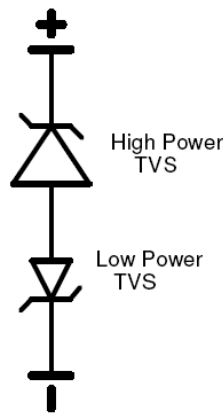
SEMICONDUCTOR

SCP-5282-4

TECHNICAL DATA
PART NUMBER: SCP-5282-4, REV D.1

TECHNICAL DATA (All parameters are at Tc = 25°C unless otherwise specified)

Rating	Condition	Symbol	Min	Typ	Max	Units
Peak Pulse Power Dissipation	1ms	P _{pk}	-		10	KW
Steady State Power Dissipation	-	P	-		150	Watts
Reverse Stand-Off Voltage	-	V _{WM}	-	28	33	Volts
Reverse Leakage. from + to -	@ 28V	I _D	4.0	5.2	10	mA
Reverse Clamping Voltage, from + to -	@ 1A	V _{clamp}	33.85	34.00	34.15	Volts
	@ 10A		34.00	34.23	34.40	
	@ 50A		34.90	35.22	35.50	
	@ 100A		36.20	36.46	37.70	
	@ 120A		36.50	36.96	37.50	
Peak Pulse Current (single 100-msec square pulse)	-	I _{PP}			120	Amps
Typical V _{clamp} vs. Current	@ 0 to 150A		33.98 + 0.0248 * I _{clamp}			V
Forward Clamping Voltage, from - to +	@ 10A	V _c	36	42	46	V
Operating & Storage Temp.	-	Top & Tstg	-55		+ 150	°C



Unidirectional Clamp with reverse polarity protection
Part number SCP-5282-4.

SENSITRON

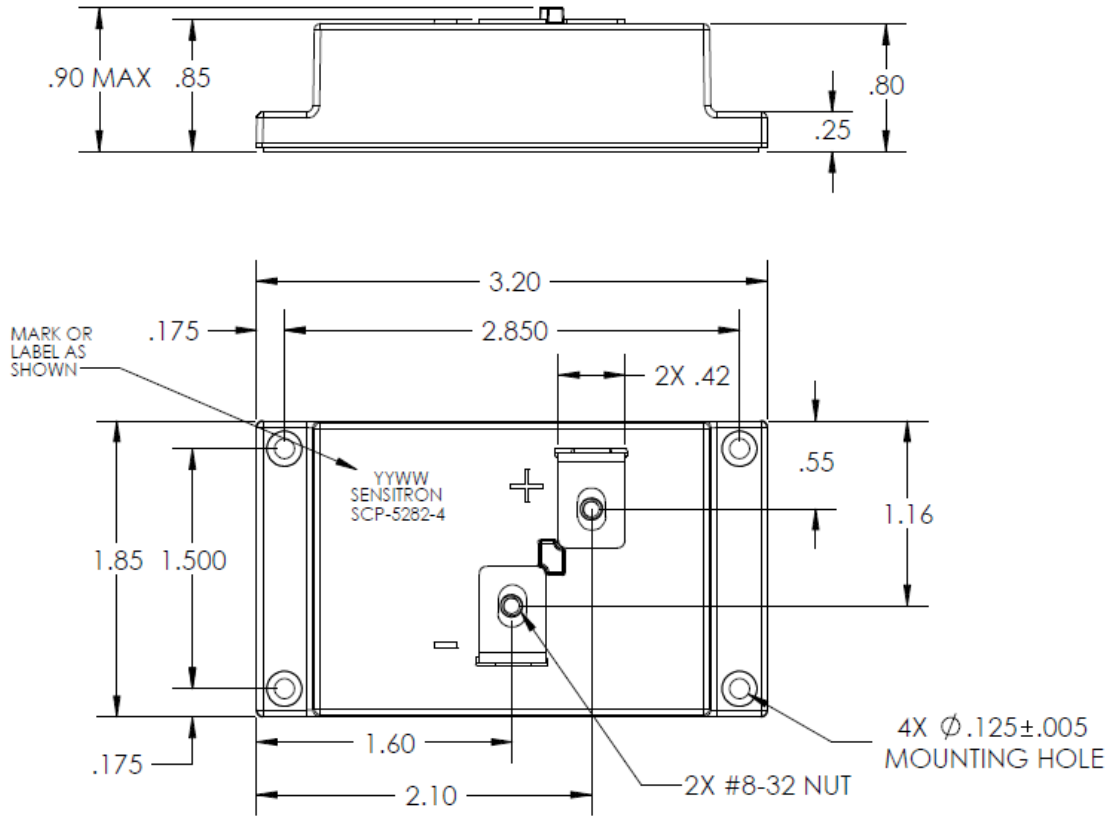
SEMICONDUCTOR

SCP-5282-4

TECHNICAL DATA

PART NUMBER: SCP-5282-4, REV D.1

MECHANICAL OUTLINE



TOLERANCE
.XX = $\pm .02$
.XXX = $\pm .010$

DISCLAIMER:

- 1- The information given herein, including the specifications and dimensions, is subject to change without prior notice to improve product characteristics. Before ordering, purchasers are advised to contact the Sensitron Semiconductor sales department for the latest version of the datasheet(s).
- 2- In cases where extremely high reliability is required (such as use in nuclear power control, aerospace and aviation, traffic equipment, medical equipment, and safety equipment), safety should be ensured by using semiconductor devices that feature assured safety or by means of users' fail-safe precautions or other arrangement.
- 3- In no event shall Sensitron Semiconductor be liable for any damages that may result from an accident or any other cause during operation of the user's units according to the datasheet(s). Sensitron Semiconductor assumes no responsibility for any intellectual property claims or any other problems that may result from applications of information, products or circuits described in the datasheets.
- 4- In no event shall Sensitron Semiconductor be liable for any failure in a semiconductor device or any secondary damage resulting from use at a value exceeding the absolute maximum rating.
- 5- No license is granted by the datasheet(s) under any patents or other rights of any third party or Sensitron Semiconductor.
- 6- The datasheet(s) may not be reproduced or duplicated, in any form, in whole or part, without the expressed written permission of Sensitron Semiconductor.
- 7- The products (technologies) described in the datasheet(s) are not to be provided to any party whose purpose in their application will hinder maintenance of international peace and safety nor are they to be applied to that purpose by their direct purchasers or any third party. When exporting these products (technologies), the necessary procedures are to be taken in accordance with related laws and regulations.